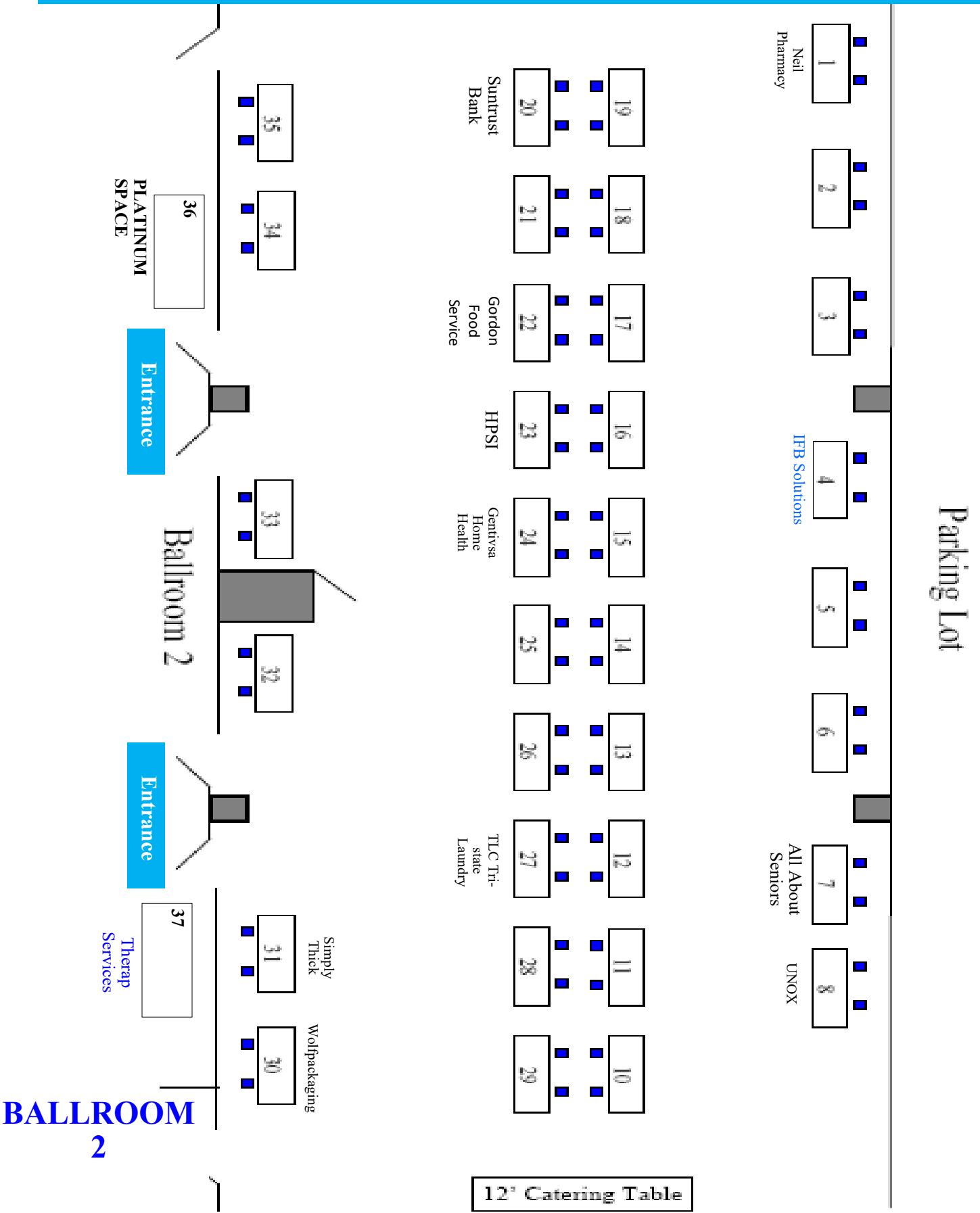


# SCARCH Trade Expo Booth Layout Thursday– April 13, 2017



**BALLROOM 2**